

**M8 MALE 90° 3 POLE / MSUD VALVE PLUG FORM BI 11MM**

PVC 3X0.34 black 0.6m

MSUD

Plastic housings with good resistance against chemicals and oils.

Form BI (11 mm)

Male M8

90°

24 V AC  $\pm 20\%$  / DC  $\pm 25\%$

3-pole

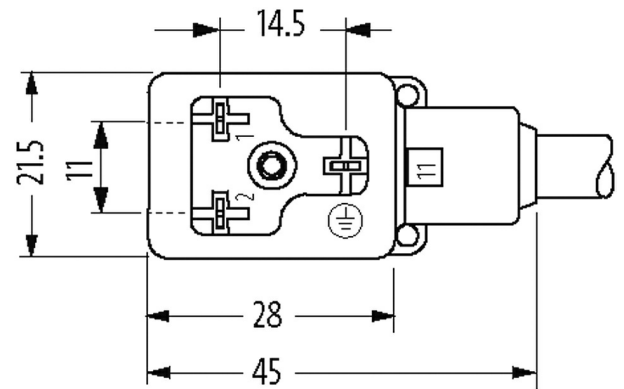
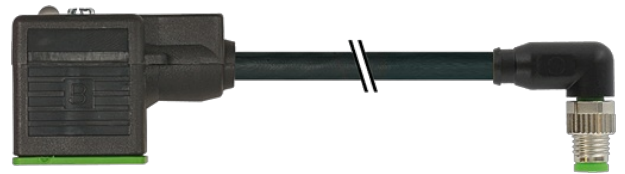
Z-Diode + LED

Art-No. 7005 - M8 Lite - (plastic hexagonal screw) on request

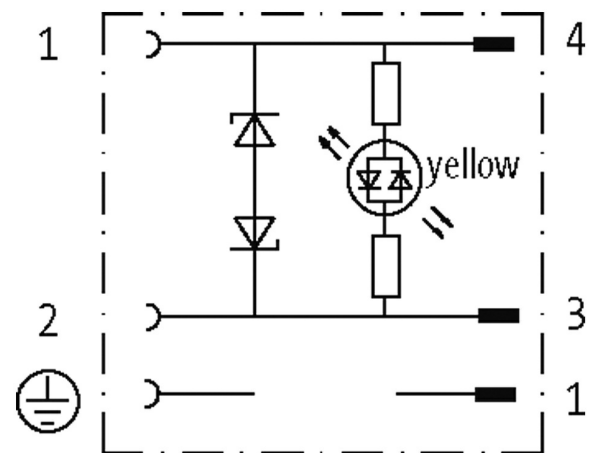
Further cable lengths on request.

[Link to Product](#)

Illustration



Height: 30 mm



Product may differ from Image

### Approvals



### Form

Form 88801

### General data

|                            |                         |
|----------------------------|-------------------------|
| Standards                  | DIN EN 61076-2-104 (M8) |
| Mounting method            | inserted, tightened     |
| Material (contact)         | Copper alloy            |
| Material (contact surface) | MSUD (Ag); M8 (Au)      |
| Material (gasket)          | PUR                     |
| Pollution Degree           | 3                       |

Temperature range -25...+85 °C, depending on cable quality

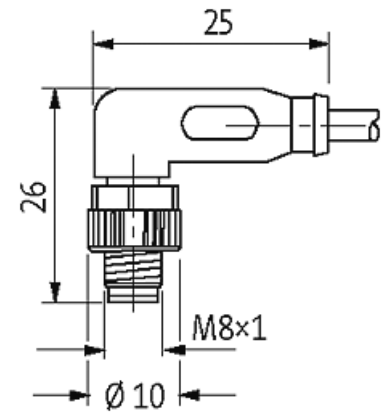
| <b>Cables</b>                      |  |
|------------------------------------|--|
| No./diameter of wires              | 3 × 0.34 mm <sup>2</sup>                       |
| Wire isolation                     | PVC (br, bl, bk)                               |
| Material (jacket)                  | PVC (UL/CSA)                                   |
| Outer Ø                            | 4.6 mm ±5%                                     |
| Bend radius (moving)               | 10 × outer Ø                                   |
| Temperature range (fixed)          | -30...+80 °C                                   |
| Temperature range (mobile)         | -5...+80 °C                                    |
| Cable identification               | 613  |
| Cable Type                         | 1 (PVC)  |
| Approval (cable)                   | UL (AWM-Style 2464/1731), CSA                  |
| Cable weight [g/m]                 | 34,10  |
| Material (wire)                    | Cu wire, bare                                  |
| Resistor (core)                    | max. 60 Ω/km (20 °C)                           |
| Single wire Ø (core)               | 0.15 mm  |
| Construction (core)                | 19 × 0.15 mm (multi-strand wire class 5)       |
| AWG                                | similar to AWG 22                              |
| Material (wire isolation)          | PVC  |
| Material property (wire isolation) | CFC-, cadmium-, silicone- and lead-free        |
| Shore hardness (wire isolation)    | 45 ±5 D  |
| Wire-Ø incl. isolation             | 1.25 mm ±5%                                    |
| Color/numbering of wires           | br, bk, bl                                     |
| Stranding combination              | 3 wires twisted                                |
| Shield                             | no   |
| Material (jacket)                  | PVC  |
| Material property (jacket)         | CFC-, cadmium-, silicone- and lead-free        |
| Shore hardness (jacket)            | 85 ±5 A  |
| Outer-Ø (jacket)                   | 4.6 mm ±5%                                     |
| Color (jacket)                     | black  |
| chemical resistance                | good resistance to oil, gasoline and chemicals |
| thermal resistance                 | flame retardant UL 1581 VW1 / CSA FT1          |
| Nominal voltage                    | UL 300 V AC                                    |
| Test voltage                       | 2000 V AC                                      |
| Current load capacity              | to DIN VDE 0298-4                              |
| Temperature range (fixed)          | -30...+80 °C                                   |
| Temperature range (mobile)         | -5...+80 °C                                    |
| Bend radius (fixed)                | 5 × outer Ø                                    |
| Bend radius (moving)               | 10 × outer Ø                                   |
| Jacket Color                       | black  |
| <b>Technical Data</b>              |  |
| Operating voltage                  | 24 V AC ±20% / DC ±25%                         |
| Rated surge voltage                | 0.8 kV   |
| Operating current per contact      | max. 4 A                                       |
| No. of poles                       | 3  |
| Current consumption                | 15 mA  |
| Material group                     | IEC 60664-1, category I                        |
| Switch off peak                    | max. 55 V                                      |

|   |  |
|---|--|
| LED display                               | yellow   |
| Locking of ports                          | M3/M8 (recommended torque 0.4 Nm)                      |
| Compression gland                         | M8 (SW9)   |
| Protection                                | IP65 and IP67 when plugged and screwed down (EN 60529) |
| Material                                  | MSUD (PBT); M8 (PUR)                                   |
| Locking material                          | Zinc die casting, matte nickel plated                  |
| suitable for corrugated tube (internal Ø) | 6.5 mm   |
| Housing                                   | Black plastic (gray on request)                        |
| Additional suppressor                     | Diode/Z-Diode  |

#### Commercial data

|                       |                |
|-----------------------|----------------|
| country of origin     | CZ             |
| customs tariff number | 85444290       |
| EAN                   | 40488791 16329 |
| eClass                | 27279218       |
| Packaging unit        | 1              |

#### Sketch



Product may differ from Image